

Easy Lock

PIN

V.2

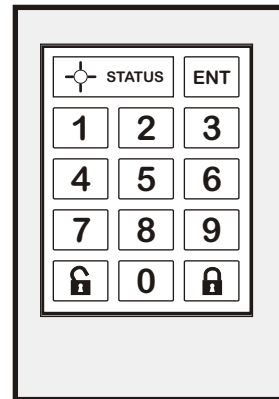
COMBINATION LOCK

Mod. DPN13AG/B/A

Bolt Length 13 mm

Mod. DPN18AG/B/A

Bolt Length 18 mm



**READ THE INSTRUCTIONS CAREFULLY
BEFORE USE AND KEEP THEM FOR
FUTURE REFERENCE**

USER'S GUIDE

PAGE 2

MAINTENANCE

PAGE 4

INSTALLATION GUIDE

PAGE 9

USER'S GUIDE




CLOSING

Press the button  , insert a 4 digits code and press the button .

The led will shortly flash 1 time every 2 seconds to indicate that the lock is closed



OPENING

Press the button .

Digit the choosen code for closing and press the button .



OPENING WITH PASSEPARTOUT CODE

Press the button .


Insert the 6 digits passepartout code

The company suggest the change of passepartout code set by factory and inform about it to the authorized personnel only.



CHANGE OF PASSEPARTOUT CODE

With the lock "open" press the button  and release it later only after that led has issued 2 short flashes and 1 longer.

Insert the 6 digits passepartout code in use and press the button  .
If the passepartout code is correct, the led will turn on for 3 seconds.

When the led turns off press the button .

Insert the new 6 digits passepartout code and press the button .

If the new passepartout code has been correctly inserted, the led will turn on for 3 seconds.

After having executed these operations, it is advisable to check and open the lock with the new passepartout code.



TIMER SETTING

By inserting the timer, the lock will open after an established time everytime it is closed.


To set the timer please follow the instructions below:

With the lock "OPEN" press the button  and release it only after the led has issued 2 short flashes and 1 longer.



Insert the 6 digits passepartout code in use and press the button .

If the passepartout code is correct, the led will turn on for 3 seconds.

When the led turns off press the button .

Insert after how many hours the lock must automatically open by using the numeric keyboard (from 1 to 99 hours) and press the button .

For disconnecting the timer proceed as above and insert "0" as value of the hours.

*Example: If you wish the lock opens after 8 hours press the button 8 and the button  .
If you wish the lock opens after 12 hours press the button 1, the button 2 and the button .*

The led will shortly flash 2 times every 2 seconds to indicate that the lock is closed with the timer "ON".

READ CAREFULLY

FEW INSTRUCTIONS AND SOME SUGGESTIONS TO KEEP EFFICIENT THE LOCKS



CLEANING

Clean the lock exclusively with a damp cloth.
Avoid soap, solvents, alcohol etc.

AVOID TO MAKE ENTER THE WATER IN THE LOCK



If the water gets inside the lock in addition to discharge the batteries can permanently damage the lock



BATTERIES (see page 5)

When the batteries have not enough power to close the lock the led red turn ON and stays ON until the complete discharge of the batteries. (approximately 3 days)

Replace them only with **ALKALINE** batteries (AAA) observing the right polarities.
Do not use rechargeable batteries



*When you noted that the led is ON replace as soon as possible the batteries.
If the discharged batteries remain in the lock they could release some acid substances which damage the contacts*



PASSEPARTOUT CODE

When you have the need to change the passepartout code verify that the new passepartout programmed works correctly after the changing



To avoid confusion is advisable to program the same code for all the locks installed.



OBSTACLE (see page 7)

If during the closing (or the opening) the red led flashes quickly 8 times this means that the bolt has met an obstacle and it unable to close (or open).

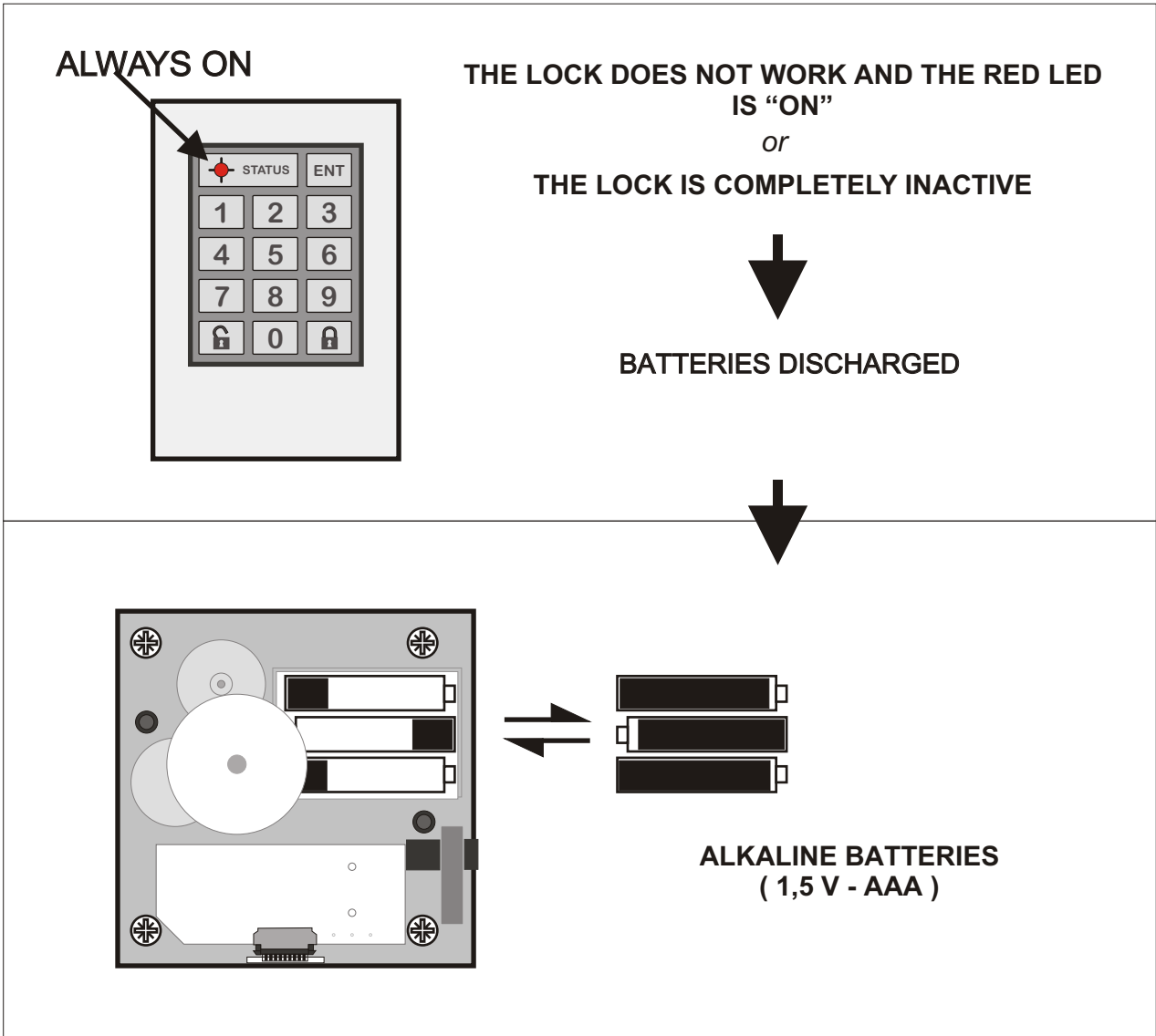


In this case remove the obstacle or verify that the door is well-aligned and adjust, if it necessary, the hinges of the door or the stop-bolt

ATTENTION

PLEASE NOTE THAT THE NON-OBSERVANCE OF THE RULES IN THIS GUIDE FOR A CORRECT MAINTENANCE WILL AUTOMATICALLY VOID EVERY KIND OF WARRANTY OF THE PRODUCT.

REPLACING THE BATTERIES

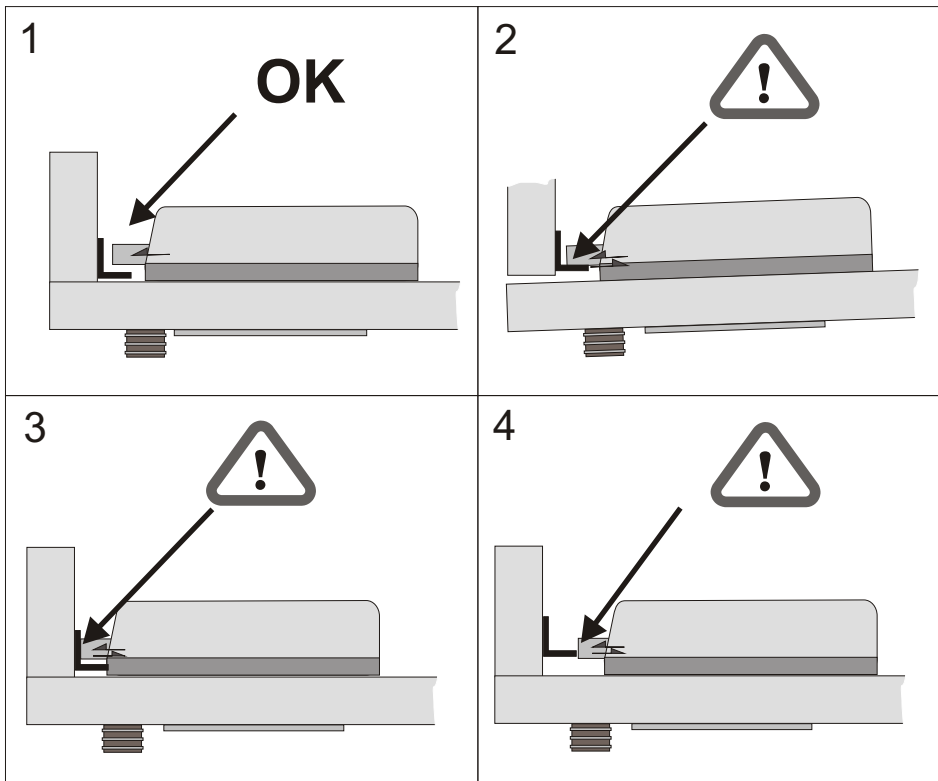


USE ONLY **ALKALINE** BATTERIES

DO NOT USE RECHARGEABLE BATTERIES

IT IS RECOMMENDED TO REPLACE THE BATTERIES WITHIN 2 YEARS FROM THEIR INSTALLATION

OBSTACLE



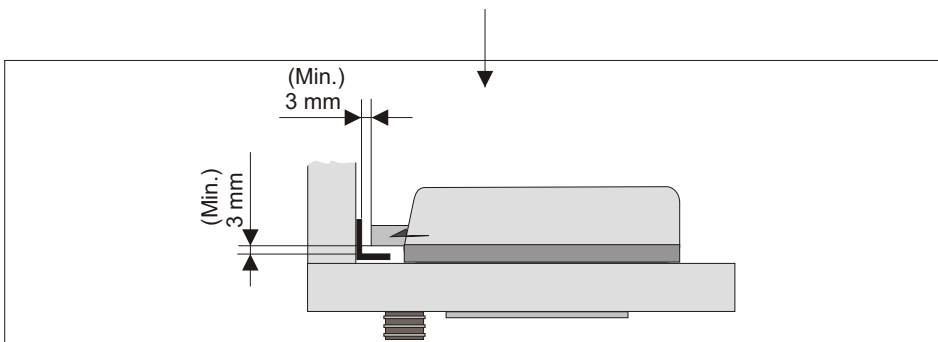
IF DURING THE CLOSING PHASE THE BOLT HITS AGAINST THE STOP-BOLT AND IT DOES NOT CLOSE (SEE FIGURE 3 AND 4) AFTER 3 SECONDS THE BOLT COME BACK IN THE POSITION "OPEN"..

THE REPETITION OF THE PROBLEM COULD DAMAGE THE INTERNAL MECHANISM..



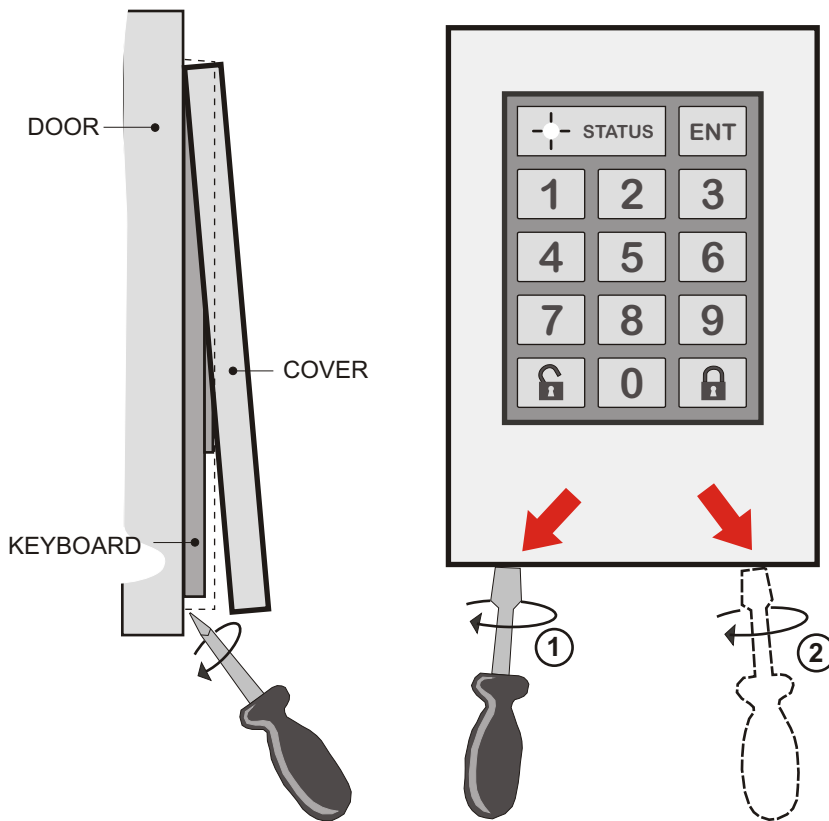
IF THE LOCK CLOSES BUT THE BOLT FORCES HORIZONTALLY AGAINST THE STOP-BOLT (SEE FIGURE 2) THE CONSUMPTION OF BATTERIES DRASTICALLY INCREASES.

TO PREVENT SUCH DISAVANTAGES IT IS ADVISABLE TO KEEP A SECURITY AREA BETWEEN THE BOLT AND THE STOP-BOLT SO THAT THE FUNCTIONING IS PERFECT EVEN WHEN IT HAPPENS A FOULTY ALIGNEMENT OF THE DOOR.



USE OF EXTERNAL POWER SUPPLY (PFAESEL02)

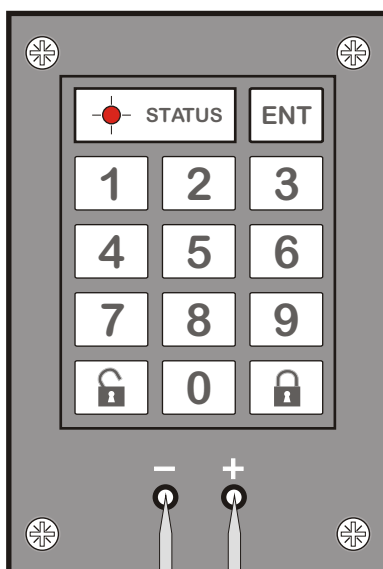
EMERGENCY OPENING




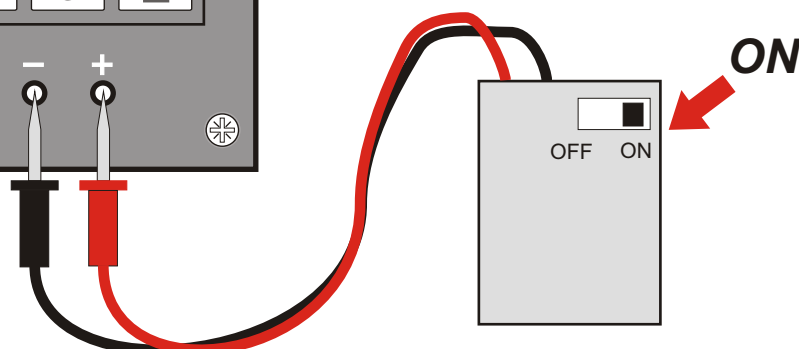
1

Unhook the cover with the help of a screwdriver by acting in the point shown in the picture

2



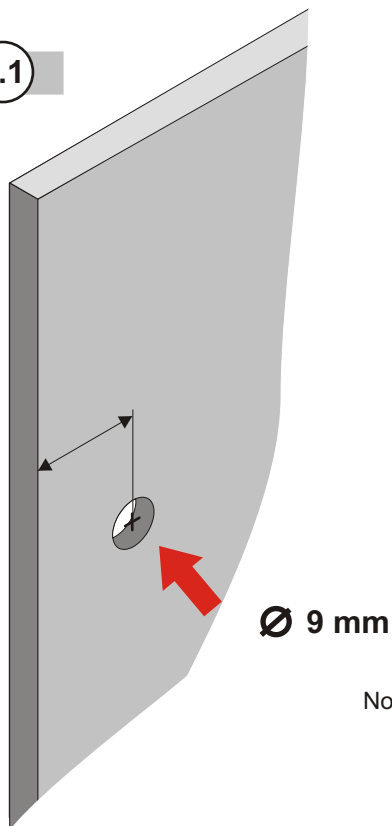
Please be sure that the external power supply commutator is on "ON" position. Then connect the two metal point in the proper holes paying attention to the polarity. For opening the lock please keep connected the metal point and press the button  then digit the 6 digits passepartout code.



INSTALLATION GUIDE

1

Pic. 1.1



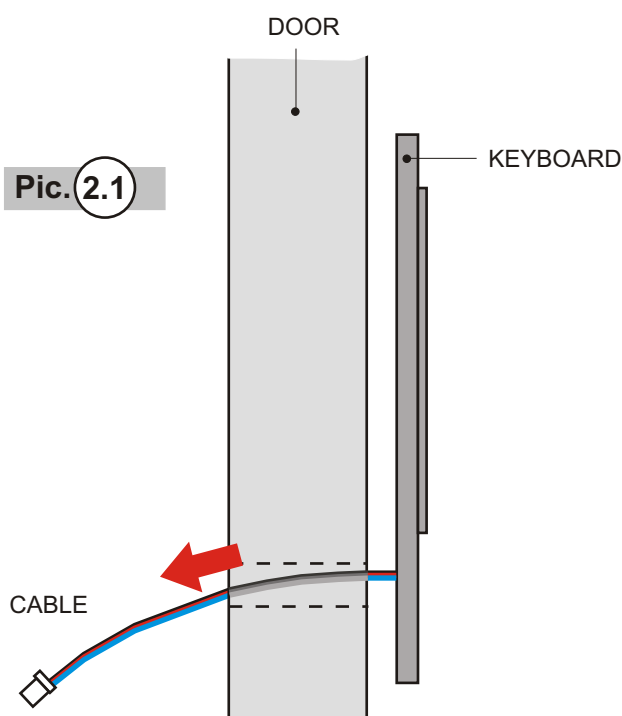
On the door make a 9 mm diameter hole.

To determine the horizontal position of the hole refer to the fixing quotas as reported at page 14 fig. 10.1 and 10.2.
(see note 1)

Nota 1 : Since the connection between keyboard and the lock is made with flexible cable, the hole can be done, if necessary, in a different position.
What is important is that the hole is inside the area of the lock-body in order to have the possibility to place the wires under the lock-body itself without coming-out.

2

Pic. 2.1



Pass the cable of the keyboard across the hole made on the door

3

Pic. 3.1



Fix the keyboard to the door with the help of n.4 cylindric head screws diameter 3 mm - lenght 12 mm. DIN 7505-B

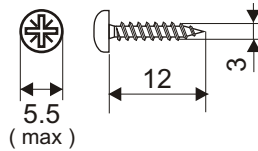
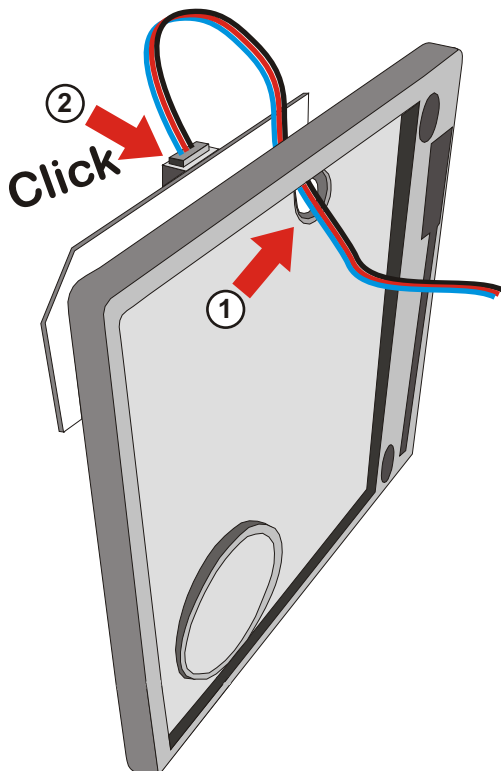


Fig. 3.2

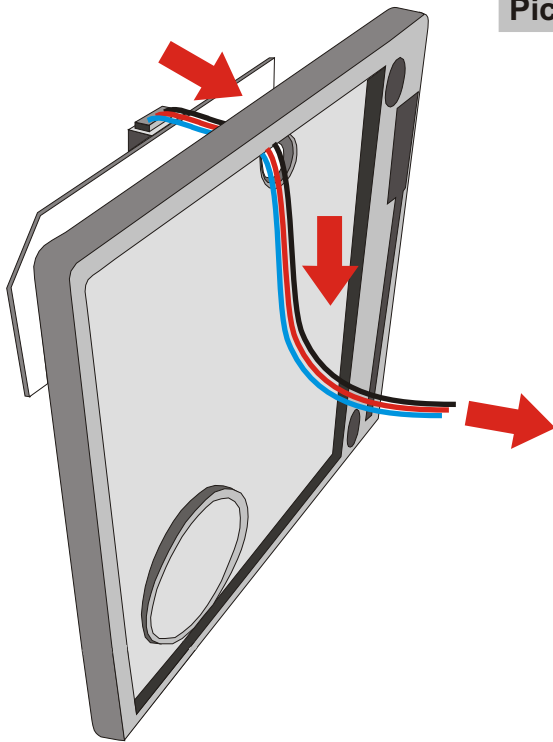
4



Pic. 4.1

After having removed the cover of the lock pass the cable across the proper hole placed on the back of the lock and insert it in the connector as shown in the picture

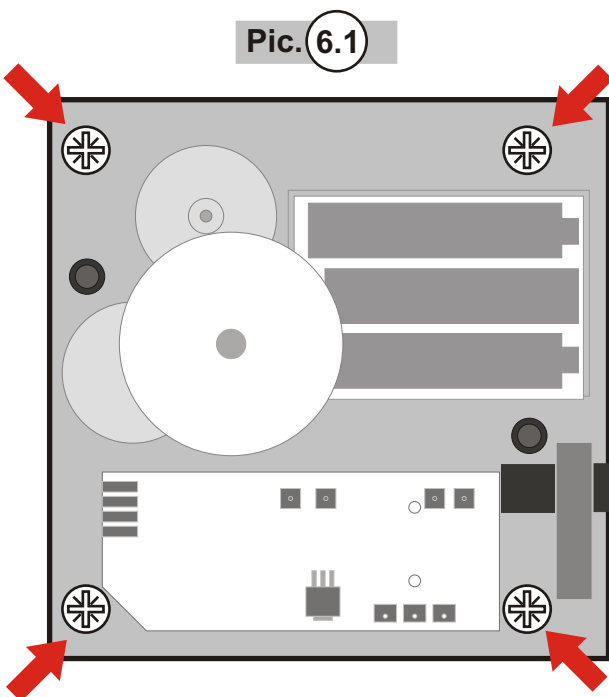
5



Pic. 5.1

Bend the cable as shown in picture in order to position the wires between the lock and the door

6

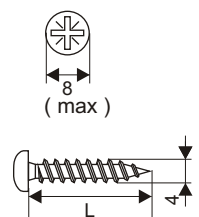


Pic. 6.1

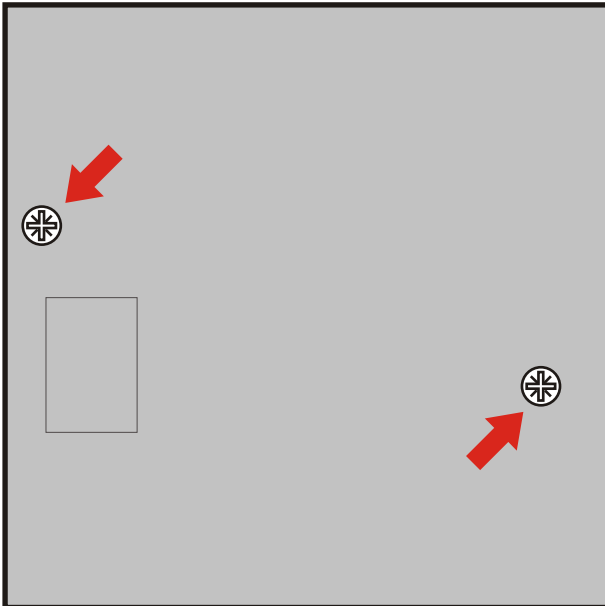
Fix the lock to the door with the help of n. 4 cylindric head screws, diameter 4 mm making sure that the bolt correctly works both in closing and opening phase, according to the specification reported at page 14 fig. 10.1 and 10.2.

Please refer to the table below for the lenght of the screws

DOOR THICKNESS (mm)	SCREW LENGTH (L) (mm)
Uqual or major of 17	20
16	18
15	18
14	16
13	16
12	14



7

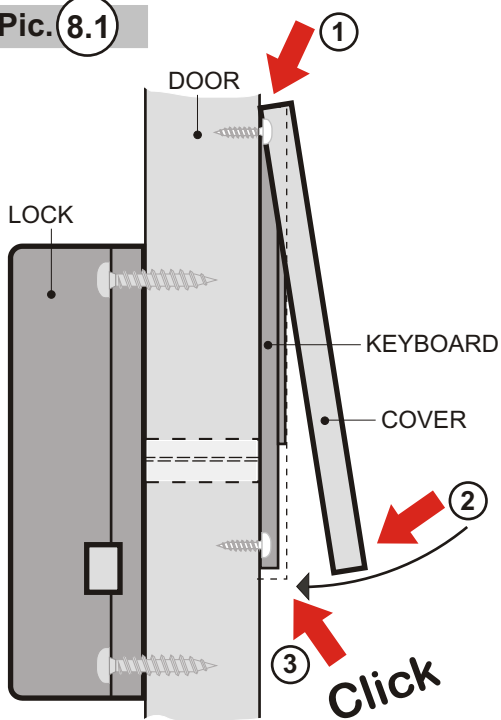


Pic. 7.1

Close the lock with the cover with the help of the proper fixing screws.

8

Pic. 8.1

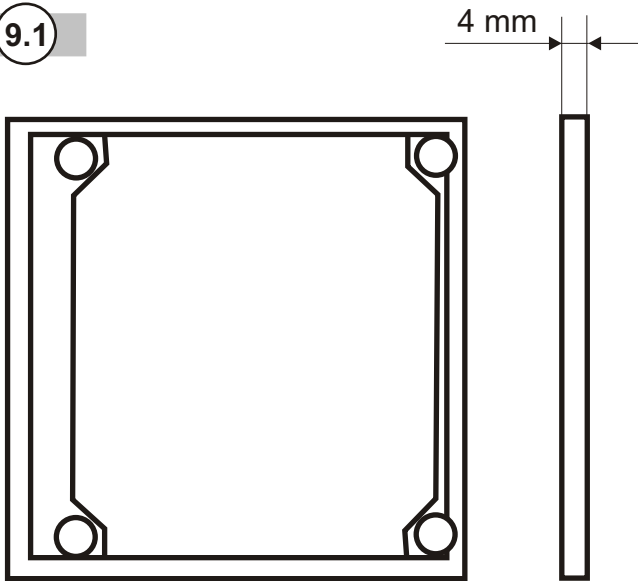


Hook the cover to the keyboard as shown in picture

9

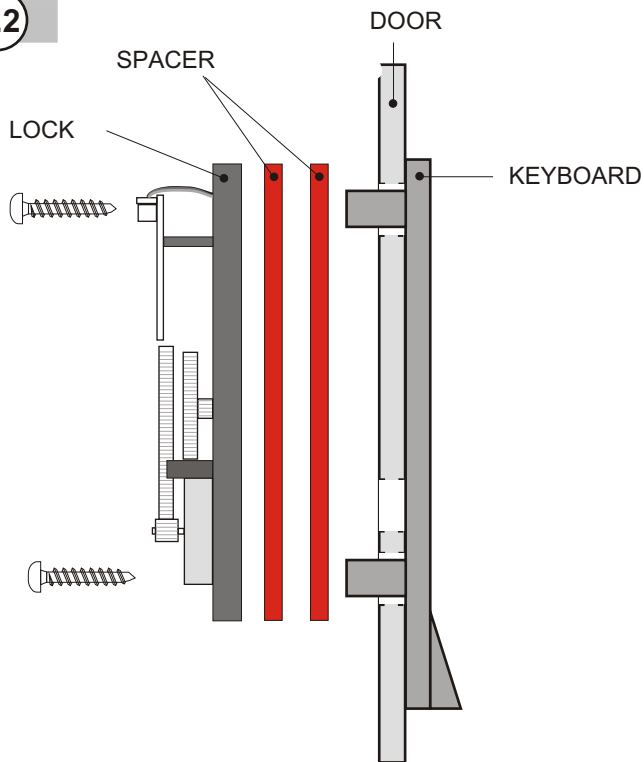
USE OF SPACER (optional)

Pic. 9.1



The spacer is an optional accessory to be used when you want to leave the body of the lock from the door.

Pic. 9.2



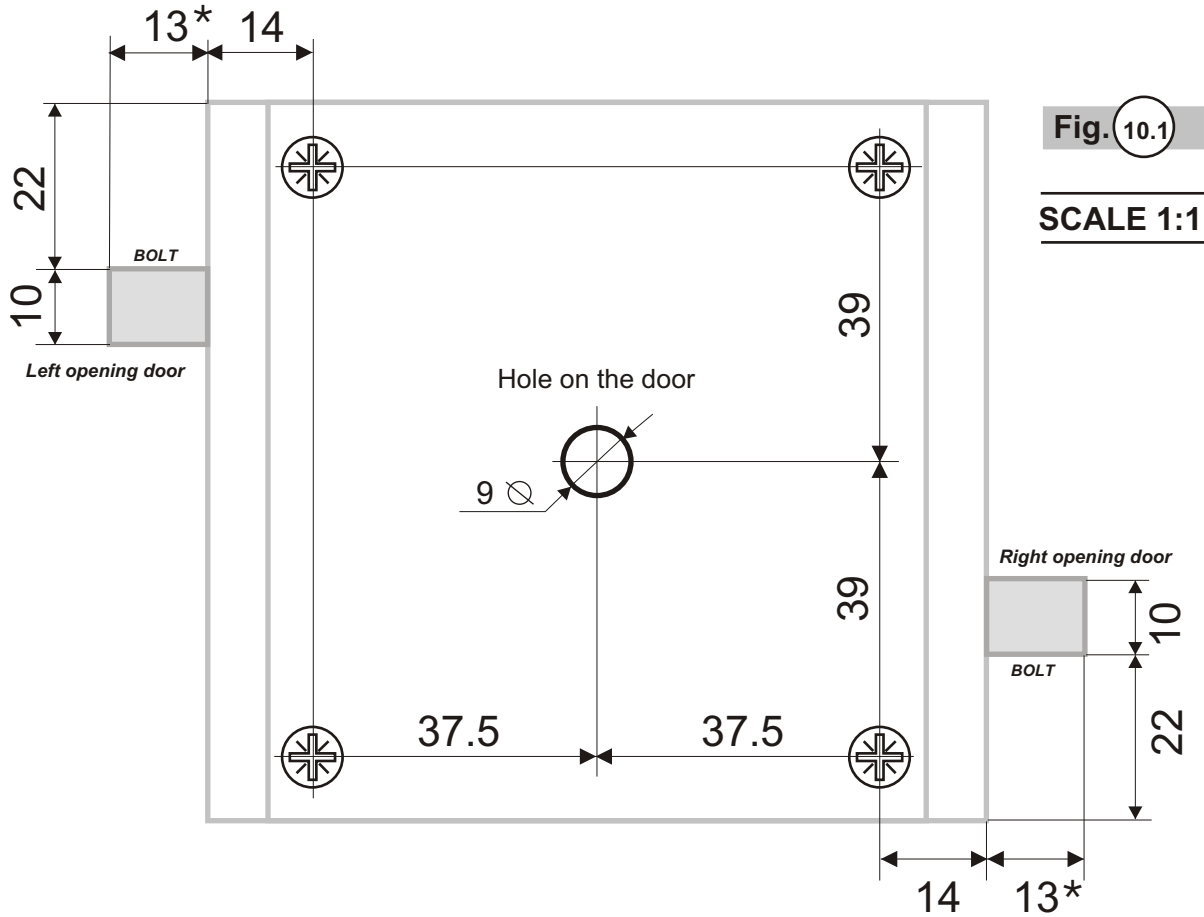
More spacers can be used for the door with reduced thickness.

10

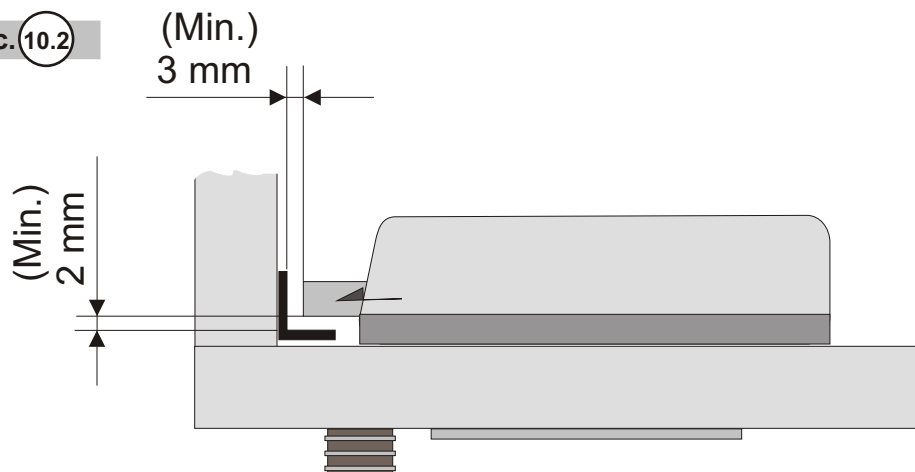
QUOTE FOR LOCK FIXING

Pic. 10.1

* Model DPN18AG/B/A = 18 mm



Pic. 10.2



PLEASE NOTE THAT THE NON OBSERVANCE OF THE RULES ABOVE DESCRIBED FOR A CORRECT INSTALLATION WILL AUTOMATICALLY VOID EVERY KIND OF WARRANTY OF THE PRODUCT

11

DIMENSION

